

REV.	DATE	DESCRIPTION	ECO	BY	C'K'D.
A	09/30/10	UPDATE DRAWING PER M/J.	22239	RB	LB

MD7 POSI-PRESS HYTOOL™ (SERIES)

- * REINFORCED POLYMER COMPOSITE HANDLES.
- * HANDLES ARE U.V. STABILIZED.
- * COMFORT GRIP DESIGN WITH CHECKERED SURFACE AND ERGONOMIC HANDLE ENDS PROVIDES A POSITIVE, SLIP-FREE GRIP.
- * BLANK INSERT PROVIDED FOR PERSONALIZING TOOL FOR IDENTIFICATION AND INVENTORY PURPOSES.
- * SPRING-ACTION DIE BUTTONS AND PERMANENT D3 GROOVE ACCOMODATES ALL BURNDY "W" AND "X" DIES FOR A WIDE RANGE OF APPLICATIONS.
- * ELECTROLESS NICKEL PLATED JAWS AND JAW LINKS PROVIDE ENHANCED CORROSION RESISTANCE.
- * HIGH STRENGTH, STAINLESS STEEL PINS RESIST CORROSION AND HELP PROVIDE LONG TOOL LIFE.
- * NON-ADJUSTABLE TOOL ENSURES THAT CONNECTORS INSTALLED WITH THE MD7 ARE PROPERLY CRIMPED.
- * THE VISUAL WEAR INDICATOR ALLOWS THE USER TO QUICKLY DETERMINE THE TOOLS' CONDITION AND INDICATES WHEN THE TOOL IS NO LONGER CAPABLE OF MAKING GOOD CRIMPS.
- * PATENTS PENDING.

SPECIFICATIONS

WEIGHT: 7 LBS
 JAWS: FORGED STEEL, NICKEL PLATED
 HANDLES: REINFORCED POLYMER COMPOSITE
 BEARINGS: OILESS BUSHING INSERTS
 OUTPUT FORCE : 9000 LBS. AT 60 LBS. HANDLE FORCE

ACCESSORIES

CAT NO.	QTY.	DESCRIPTION
MD6-CP1	1	PROTECTIVE VINYL JAW COVERS FOR MD7 AND MD7-8
PT6744	1	MD7-6 MOLDED ONE-PIECE COVER
PT4946	1	COMPACT STEEL DIE CASE (HOLDS 12 DIE SETS)
PT4925	1	CANVAS BAG

NOTES:

- MD7 POSI-PRESS HYTOOL™ SUPPLIED WITH STANDARD 'BG' AND 'D3' DIES.
- MD7-6 POSI-PRESS HYTOOL™ (SNUBNOSE) SUPPLIED WITH STANDARD 'D3' DIE.
- MD7-8 POSI-PRESS HYTOOL™ SUPPLIED WITH STANDARD 'O' AND 'D3' DIES. THIS VERSION IS SHOWN IN FIGURE 1.

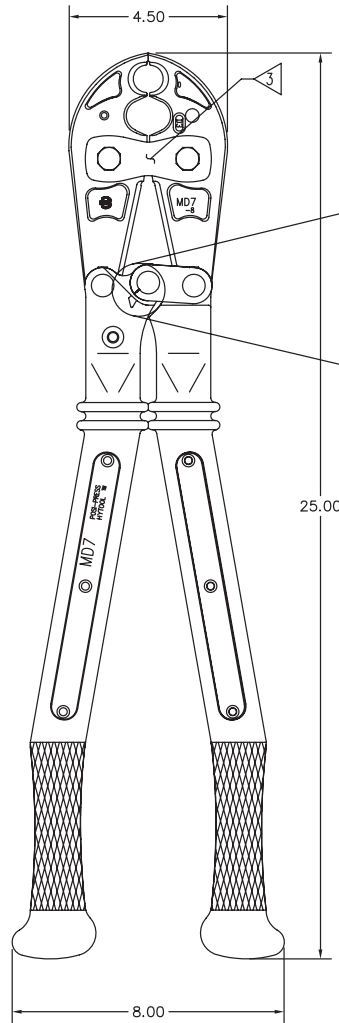


FIGURE 1
MD7-8 POSI-PRESS HYTOOL™

THIS DEVICE IS DESIGNED TO INDICATE TO THE USER THAT THE MD7 SERIES HYTOOL IS NO LONGER CRIMPING WITHIN SPECIFICATION. FIRST OPEN THEN CLOSE THE TOOL SO THAT THE TIPS OF THE JAWS JUST TOUCH EACH OTHER. THE TOOL CAN BE CHECKED FOR WEAR BY THE POSITION OF THE ORANGE GROOVE ON THE LINK. IF THE MARK IS WITHIN THE LIMITS OF THE CORRESPONDING ORANGE INDICATOR, THE TOOL IS WITHIN SPECIFICATION. IF THE MARK IS OUTSIDE OF THE INDICATOR AREA, THE HANDLES ARE WORN AND WILL NOT PROVIDE PROPER CRIMPS. THE TOOL SHOULD THEN BE SENT TO THE BURNDY FACTORY FOR HANDLE REPLACEMENT AND CALIBRATION. CALL 1-800-426-8720 FOR DETAILS.

NOTE: ALL DIES SHOULD BE REMOVED FROM THE TOOL FIRST.

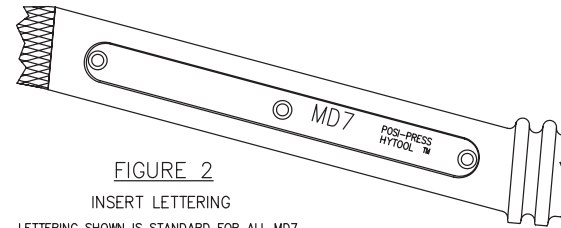


FIGURE 2
INSERT LETTERING
 LETTERING SHOWN IS STANDARD FOR ALL MD7 SERIES HYTOOLS™ FULL CATALOG NUMBER IS IDENTIFIED ON THE JAWS OF THE TOOL. A BLANK INSERT IS PROVIDED AS A LABELING SPACE FOR CUSTOMER INFORMATION.

TO ORDER BURNDY® PRODUCTS CALL
 UNITED STATES:
 1-800-346-4175 (LONDONDERRY, NH)
 CANADA:
 1-800-361-6975 (QUEBEC)
 1-800-387-6487 (ALL OTHER PROVINCES)
 FOR PRODUCT INFO: <http://www.burndy.com>

MD7 POSI-PRESS HYTOOL™	
ITEM NO: --	
CAT NO: MD7 (SERIES)	
SCALE: N/A	
DRAWN BY: C. CHADBOURNE 02/14/92	
CHECKER: M. LARROUELLE 10/15/92	
DSN APPVL: C. CHADBOURNE 10/15/92	
MFG APPVL: ---	
QC APPVL: A. LLOYD 10/16/92	
MKT APPVL: M. BLAKE 10/15/92	
PROD FARM: ---	
PROJECT #:	SIZE
DOCUMENT TYPE: Sales	D
REL LEVEL: AutoCAD	
DRAWING NO	REV
SE207642	A
SHEET 1 of 1	

